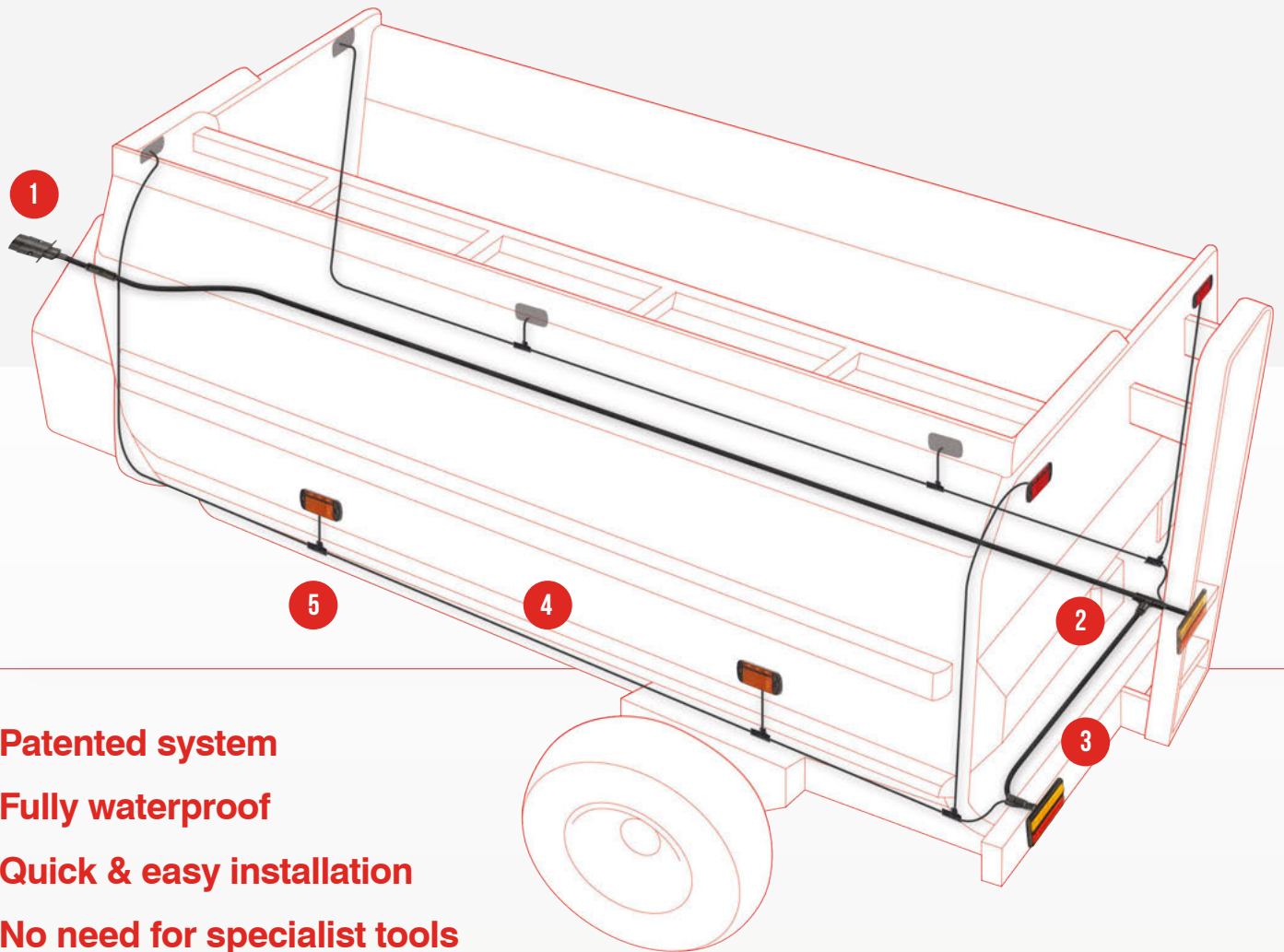


LIGHTING HARNESS SYSTEM AGRICULTURAL TRAILER



- **Patented system**
- **Fully waterproof**
- **Quick & easy installation**
- **No need for specialist tools**

A patented waterproof sealing ring has been integrated within each individual connector, providing whole system integrity and reassurance of a long operating life.

1. 7-Pin chassis plug

2. Gooseneck connector with marker harness connector

3. Lamp-to-lamp connector with marker harness connector

4. Twin core marker lamp harness connector

5. Marker harness T-piece connector



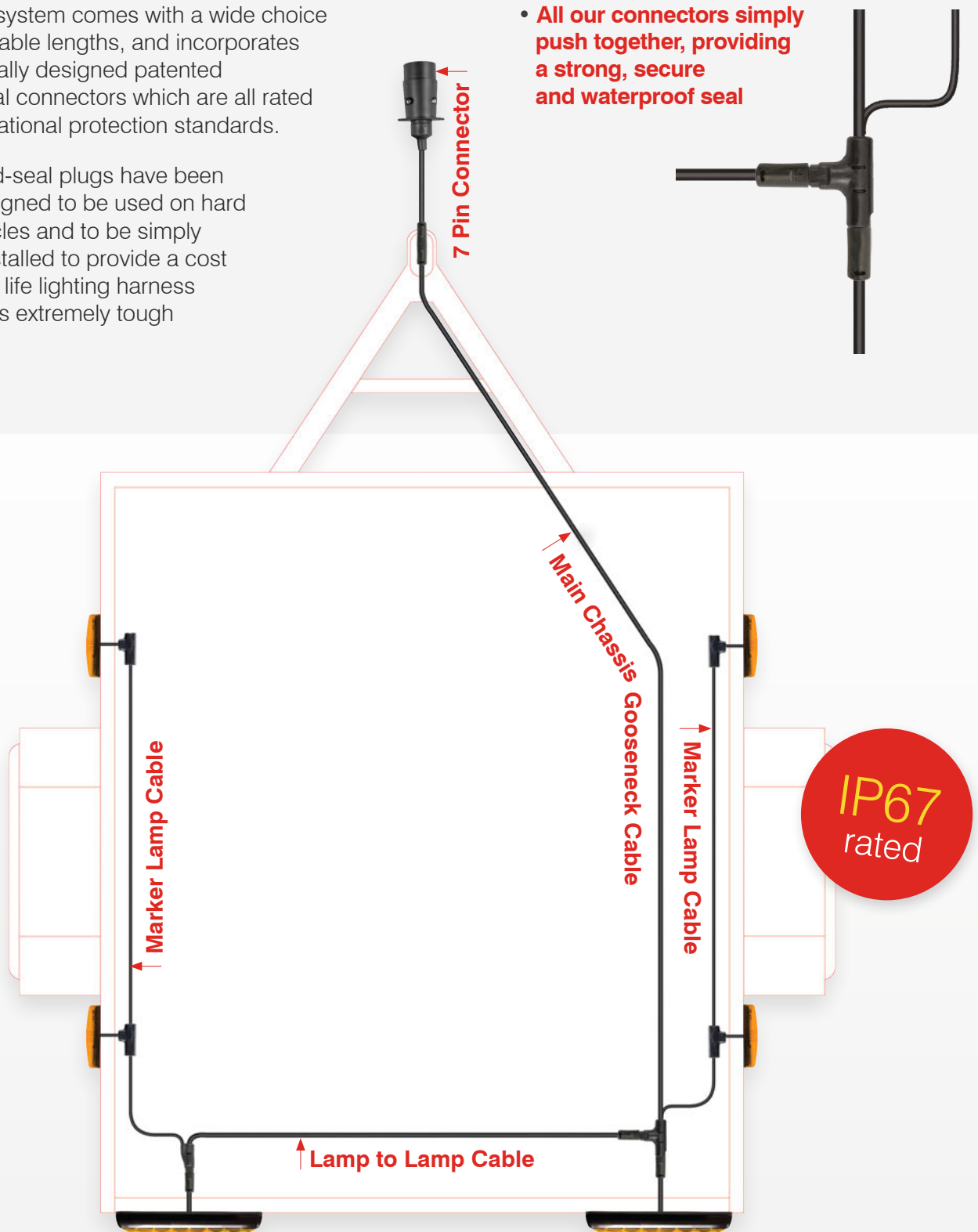
This new system offers a quick and foolproof method of wiring an agricultural trailer without the need for any specialist tools.

The harness system comes with a wide choice of standard cable lengths, and incorporates several specially designed patented push-and-seal connectors which are all rated to IP67 international protection standards.

The push-and-seal plugs have been specially designed to be used on hard working vehicles and to be simply and easily installed to provide a cost effective long life lighting harness solution that is extremely tough and durable.

PUSH-AND-SEAL SYSTEM

- All our connectors simply push together, providing a strong, secure and waterproof seal



- This flexible system is suitable for vehicles and trailers of all different sizes

CABLES & CONNECTORS



- We offer an extensive choice of cable lengths for complete system versatility

CHASSIS PLUGS



7Pin Connector
5C81 - 1m Cable



Twin Core T-Piece
2PTP - T-Piece
2PTC - 2-pin T-Piece Cover
2PIC - 2-pin In-line Cover



MAIN CHASSIS GOOSENECK CABLES 5 wire cable with accessory wire for marker lamp



Part Numbers / Lengths:

- 5C370C - 3.7m
- 5C430C - 4.3m
- 5C490C - 4.9m
- 5C550C - 5.5m
- 5C610C - 6.1m
- 5C670C - 6.7m
- 5C730C - 7.3m
- 5C800B - 8m
- 5C1200B - 12m



LAMP TO LAMP CABLES 4 wire cable with accessory wire for marker lamp

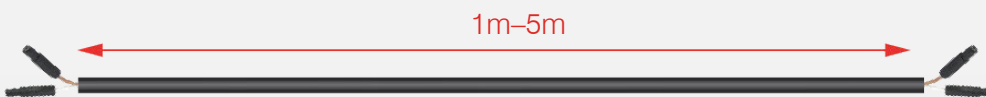


Part Numbers / Lengths:

- 4C110C - 1.1m
- 4C130C - 1.3m
- 4C150C - 1.5m
- 4C170C - 1.7m
- 4C190C - 1.9m
- 4C210C - 2.1m
- 4C220B - 2.2m
- 4C320B - 3.2m



TWIN CORE MARKER LAMP CABLES 2 wire cable for marker lamps and accessories



Part Numbers / Lengths:

- 2C100B - 1m
- 2C200B - 2m
- 2C300B - 3m
- 2C400B - 4m
- 2C500B - 5m





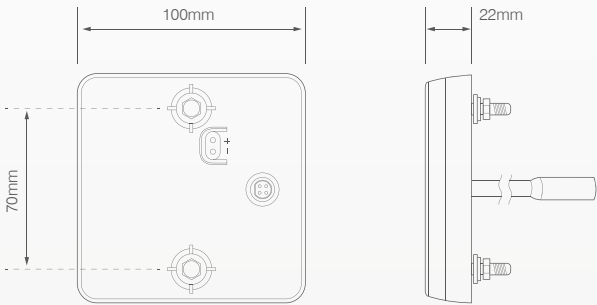
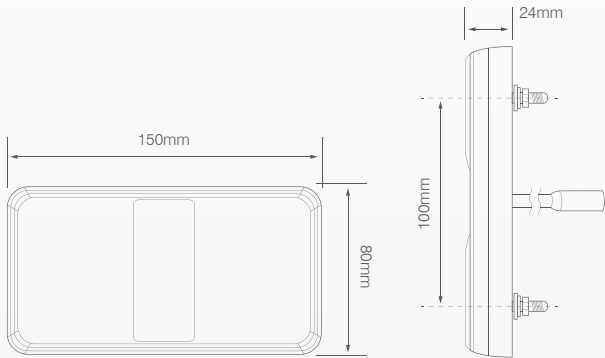
REAR LAMPS & ACCESSORIES

COMPACT COMBINATION TRAILER LAMPS

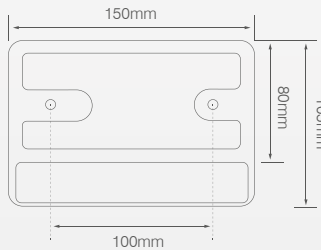


Stop/Tail/Indicator
150ARME - 12/24V
150BARE - 12V
150BARE2 - 12V Twin Pack

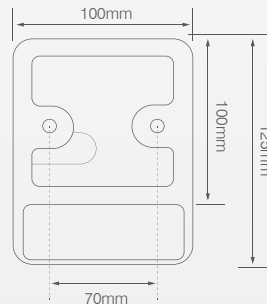
Stop/Tail/Indicator
100ARME - 12/24V
100BARE - 12V
100BARE2 - 12V Twin Pack



NUMBER PLATE LAMPS



Number Plate Lamp Bracket
(for 150 Series Lamps)
LP150M - 12/24V



Number Plate Lamp Bracket
(for 100 Series Lamps)
LP100 - 12V



SLIM-LINE COMBINATION TRAILER LAMP

5 year warranty

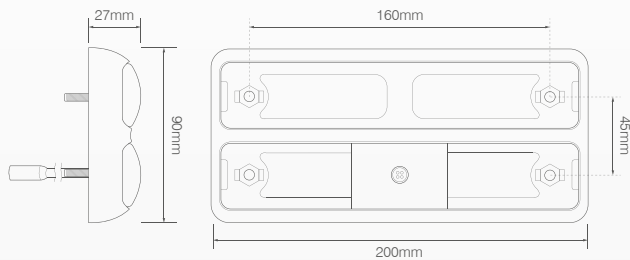


LOW-PROFILE ROUND COMBINATION LAMP

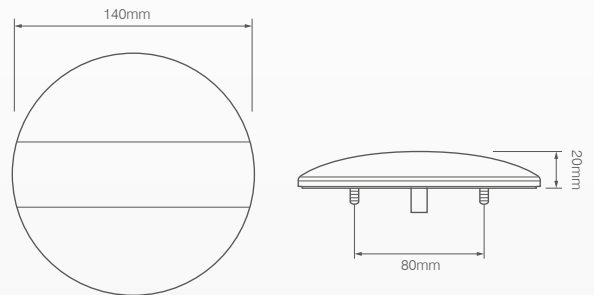
5 year warranty



Stop/Tail/Indicator
207BARP - 12V



Stop/Tail/Indicator
EU140STIM4P - 12/24V



NUMBER PLATE LAMPS plug directly into 100 & 150 series combination lamps. Come with 1m Cable



Number Plate Lamp
& Harness Kit
35BLME1P - 12/24V



Number Plate Lamp
& Harness Kit
41BLME1P - 12/24V

MARKER & NUMBER PLATE LAMPS



Number Plate Lamp
41BLME2P



Number Plate Lamp
35BLME2P



Amber Side Marker
44AME2P



Amber Side Marker
37AM2P



Amber Side Marker
37CAM2P



Stalk Lamp (Left)
1004LE2P



Stalk Lamp (Right)
1004RE2P



Red Rear
Outline Marker
44RME2P



Red Rear
Outline Marker
37RM2P



Red Rear
Outline Marker
37CRM2P



Stalk Lamp (Left)
with Side Marker
1005LE2P



Stalk Lamp (Right)
with Side Marker
1005RE2P



White Front
Outline Marker
44WME2P



White Front
Outline Marker
37WM2P



White Front
Outline Marker
37CWM2P



Rubber Marker
1004RWM2P



Rubber Marker
with Side Marker
1005RWM2P



Amber Side Marker
1490AM2P



Amber Side Marker
with Bracket
1491AM2P



Amber Side Marker
58AM-1E2P



Amber Side Marker
181AME2P



Red Rear
Outline Marker
181RME2P



Red Rear
Outline Marker
1490RM2P



Red Rear Outline
Marker w/ Bracket
1491RM2P



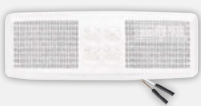
Red Rear
Outline Marker
58RME2P



Red Rear
Outline Marker
35RME2P



White Front
Outline Marker
181WME2P



White Front
Outline Marker
1490WM2P



White Front Outline
Marker w/ Bracket
1491WM2P



White Front
Outline Marker
58WME2P

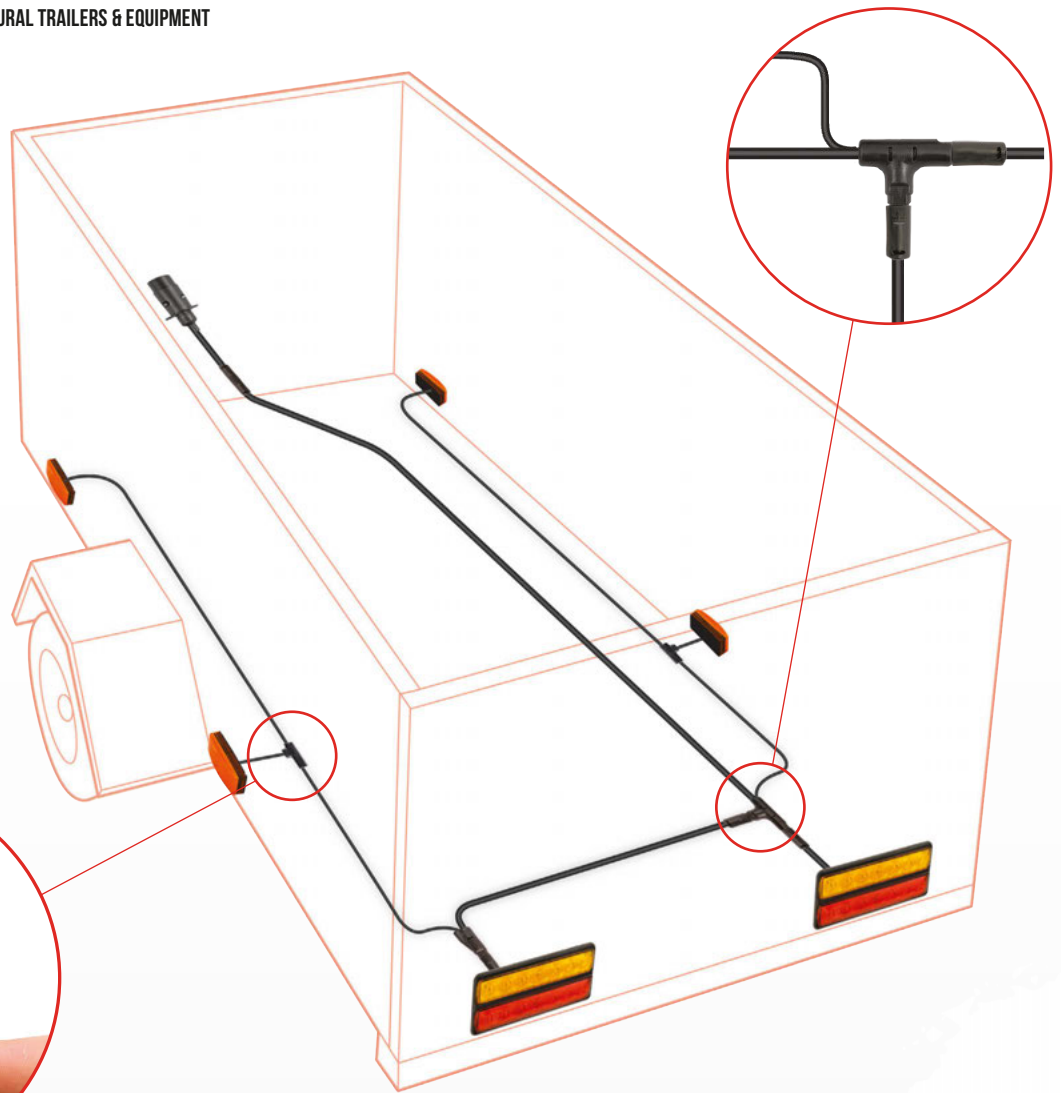


White Front
Outline Marker
35WME2P



IP67
rated

- **Push-and-seal connectors make installation fast and simple!**



LED Autolamps is a leading manufacturer of an extensive range of European certified commercial vehicle LED lighting solutions.

The company's commitment to research and development and innovative product design has firmly placed LED Autolamps as one of the industry's fastest growing companies that specialise in solid state vehicle lighting.

Unsurpassed for quality and reliability all LED Autolamps products come with either a 3 year, 5 year or lifetime warranty. In addition, all of our products offer sealed for life electronics to protect against dirt and moisture ingress and 12/24 dual voltage versatility makes the product range suitable for a wide range of commercial, specialist, construction and agricultural vehicles.

LED AUTOLAMPS EUROPE LLP

Unit 8J, Maybrook Business Park, Minworth,
Sutton Coldfield, B76 1AL, United Kingdom

T +44 (0)121 313 2222 **F** +44 (0)121 313 2272

E enquiries@ledautolamps-uk.com



Visit our website for our full
product catalogue and all
our latest news:

WWW.LEDAUTOLAMPS-UK.COM